



meccanocar

User manual

4770007530

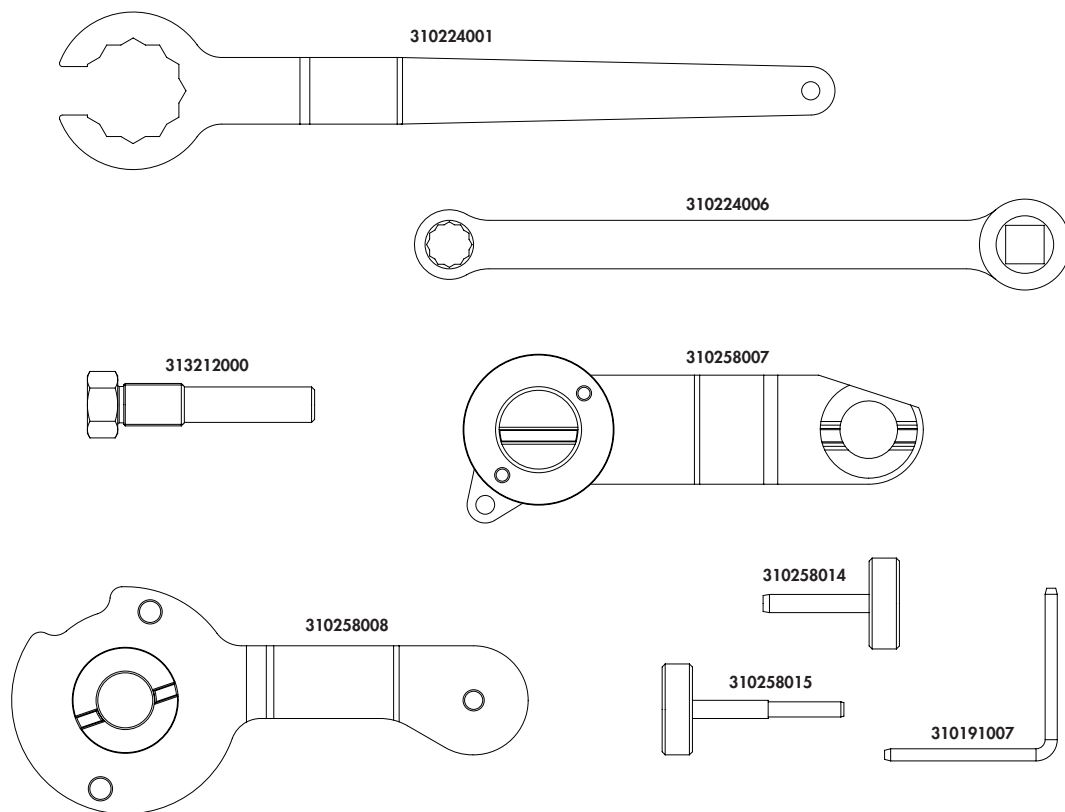
Adattabile per Gruppo VW 1.0 - 1.2 - 1.4 TSI/
TFSI benzina

Adaptable pour Groupe VW 1.0 - 1.2 - 1.4 TSI/TFSI essence

FR

Suitable for VW Group 1.0 - 1.2 - 1.4 TSI/TFSI PETROL ENGINES

EN



Componenti

313212000	T10340	PERNO BLOCCAGGIO ALBERO MOTORE	
310224001	T10499	ATTREZZO DI BLOCCAGGIO DELLA PULEGGIA DEL TENDICINGHIA	
310191007	T10060A	TENDICINGHIA (ORGANI AUSILIARI)	
310224006	T10500	ATTREZZO PER ALLENTAMENTO/SERRAGGIO BULLONE DELLA PULEGGIA DEL TENDICINGHIA	
310258007	T10494	ATTREZZO DI FASATURA ALBERO A CAMME	
310258008	T10504	ATTREZZO DI FASATURA ALBERO A CAMME	
310258014	T10504/1	PERNO DI FASATURA ALBERO A CAMME	
310258015	T10504/2	PERNO DI FASATURA ALBERO A CAMME	

PRECAUZIONI SPECIALI - LEGGERE ATTENTAMENTE

- **Utilizzare guanti antinfortunistici, scarpe antinfortunistiche, elmetto e occhiali di protezione**

- **Uso improprio:**

Il prodotto deve essere destinato solo ed esclusivamente all'uso descritto in questa documentazione, ogni altro uso è da considerarsi improprio.

Il produttore declina ogni responsabilità per possibili danni causati da usi errati o irragionevoli dell'attrezzatura;

L'uso improprio invalida inoltre la garanzia.

- **Tenere gli attrezzi con cura:**

Conservare sempre gli attrezzi puliti.

Riporre gli attrezzi all'interno della confezione originale.

- Scollegare il cavo della batteria dal polo negativo di terra (verificare il codice radio se disponibile)
- Rimuovere le candele o le candele per facilitare la rotazione del motore
- Non utilizzare detersivi liquidi su cinghie, pignoni o tensionatori
- Segnare il senso di rotazione della cinghia ausiliaria prima di rimuoverla
- Ruotare il motore in senso orario (antiorario solo se specificato)

- Non ruotare mai l'albero a camme, l'albero motore o la pompa d'iniezione diesel quando la catena è già stata rimossa (a meno che non sia specificato)
- Non utilizzare la catena di distribuzione per bloccare il motore quando si allentano o si stringono i bulloni della puleggia dell'albero motore
- Non ruotare l'albero motore o l'albero a camme quando la cinghia/catena è già stata rimossa
- Prima di rimuovere la catena, segnare la sua direzione
- È sempre consigliato ruotare il motore lentamente manualmente e riverificare il posizionamento dell'albero motore e dell'albero a camme
- Gli alberi a camme e motore possono essere ruotati solamente quando il meccanismo di azionamento della catena/cinghia è completamente installato.
- Non ruotare il motore azionando l'albero a camme o altri ingranaggi
- Verificare la corretta posizione della pompa d'iniezione diesel dopo aver sostituito la catena
- Osservare tutte le coppie di serraggio
- Attenersi sempre al manuale della casa costruttrice o al libretto d'istruzioni fornito
- Una fasatura del motore non precisa o sbagliata comporta il danneggiamento delle valvole

APPLICAZIONI

AUDI	A1/A1 Sportback	1.4 TFSI COD	CPTA
	A1/A1 Sportback	1.4 TFSI COD	CZEA
	A3 Cabrio	1.4 TFSI	CXSB
	A3 Cabrio	1.4 TFSI COD	CPTA
	A3 Cabrio	1.4 TFSI COD	CZEA
	A3 Saloon	1.2 TFSI	CJZA
	A3 Saloon	1.4 TFSI	CMBA
	A3 Saloon	1.4 TFSI	CXSA
	A3 Saloon	1.4 TFSI	CXSB
	A3 Saloon	1.4 TFSI COD	CPTA
	A3 Saloon	1.4 TFSI COD	CZEA
	A3 Sedan	1.4 TFSI COD	CPTA
	A3 Sedan	1.4 TFSI COD	CZEA
	A3/A3 Sportback	1.2 TFSI	CJZA
	A3/A3 Sportback	1.2 TFSI	CYVB
	A3/A3 Sportback	1.4 e-tron	CUKB
	A3/A3 Sportback	1.4 g-tron	CPWA
	A3/A3 Sportback	1.4 TFSI	CMBA
	A3/A3 Sportback	1.4 TFSI	CXSA
	A3/A3 Sportback	1.4 TFSI	CXSB
	A3/A3 Sportback	1.4 TFSI COD	CPTA
	A3/A3 Sportback	1.4 TFSI COD	CZEA
	Q2	1.4 TFSI COD	CZEA
	Q3	1.4 TFSI	CHPB
	Q3	1.4 TFSI	CZDA
	Q3	1.4 TFSI COD	CZEA

APPLICAZIONI

SEAT	Alhambra	1.4 TSI	CZDA
	Ibiza	1.4 TSI ACT	CPTA
	Ibiza	1.4 TSI ACT FR	CPTA
	Ibiza	1.2 TSI	CJZC
	Ibiza	1.2 TSI	CJZD
	Leon	1.2 TSI	CJZA
	Leon	1.2 TSI	CJZB
	Leon	1.2 TSI	CYVA
	Leon	1.2 TSI	CYVB
	Leon	1.4 LPG	CPWA
	Leon	1.4 TGI	CPWA
	Leon	1.4 TSI	CHPA
	Leon	1.4 TSI	CMBA

APPLICAZIONI

SEAT	Leon	1.4 TSI	CXSA
	Leon ST	1.2 TSI	CJZA
	Leon ST	1.2 TSI	CJZB
	Leon ST	1.2 TSI	CYVA
	Leon ST	1.2 TSI	CYVB
	Leon ST	1.4 TGI	CPWA
	Leon ST	1.4 TSI	CHPA
	Leon ST	1.4 TSI	CMBA
	Leon ST	1.4 TSI	CXSA
	Toledo	1.2 TSI	CJZC
	Toledo	1.2 TSI	CJZD

APPLICAZIONI

SKODA	Fabia III	1.2 TSI	CJZC
	Fabia III	1.2 TSI	CJZD
	Fabia III Estate	1.2 TSI	CJZC
	Fabia III Estate	1.2 TSI	CJZD
	Octavia III	1.2 TSI	CJZA
	Octavia III	1.2 TSI	CJZB
	Octavia III	1.4 CNG	CPWA
	Octavia III	1.4 TSI	CHPA

APPLICAZIONI

VW	Beetle/Coccinelle/Maggiolino	1.2 TSI	CYVD
	Beetle/Coccinelle/Maggiolino	1.4 TSI	CZDA
	Caddy/Caddy Maxi	1.4 TGI CNG	CPWA
	CC	1.4 TSI/BlueMotion Technology	CZDA
	Golf SV/Sportsvan	1.2 TSI	CYVA
	Golf SV/Sportsvan	1.2 TSI	CYVB
	Golf SV/Sportsvan	1.4 TSI	CPVB
	Golf SV/Sportsvan	1.4 TSI	CZDA
	Golf VI Cabrio	1.2 TSI	CJZA
	Golf VI Cabrio	1.2 TSI	CYVD
	Golf VI Cabrio	1.4 TSI	CZDA
	Golf VII	1.2 TSI	CJZA
	Golf VII	1.2 TSI	CJZB
	Golf VII	1.2 TSI	CYVA
	Golf VII	1.2 TSI	CYVB
	Golf VII	1.4 GTE	CUKB
	Golf VII	1.4 TGI BlueMotion	CPWA
	Golf VII	1.4 TSI	CHPA
	Golf VII	1.4 TSI	CMBA

APPLICAZIONI

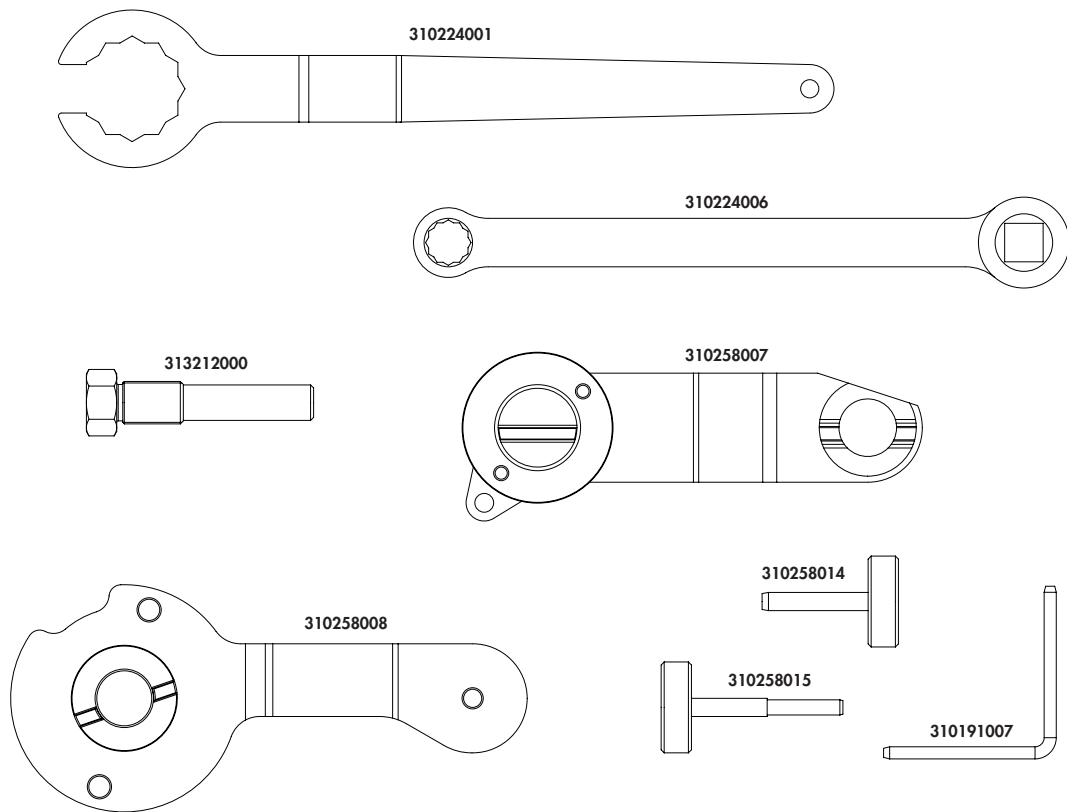
	Golf VII	1.4 TSI	CXSA
	Golf VII	1.4 TSI	CZDA
	Golf VII	1.4 TSI ACT	CPTA
	Golf VII	1.4 TSI ACT	CZEA
	Golf VII	1.4 TSI MultiFuel	CPVA
	Golf VII	1.4 TSI MultiFuel	CPVB
	Golf VII Estate	1.2 TSI BlueMotion Technology	CJZA
	Golf VII Estate	1.2 TSI BlueMotion Technology	CJZB
	Golf VII Estate	1.2 TSI BlueMotion Technology	CYVA
	Golf VII Estate	1.2 TSI BlueMotion Technology	CYVB
	Golf VII Estate	1.4 TGI BlueMotion	CPWA
	Golf VII Estate	1.4 TSI	CPVB
	Golf VII Estate	1.4 TSI BlueMotion Technology	CHPA
	Golf VII Estate	1.4 TSI BlueMotion Technology	CMBA
	Golf VII Estate	1.4 TSI BlueMotion Technology	CXSA
	Golf VII Estate	1.4 TSI BlueMotion Technology	CZDA
	Golf VII Estate	1.4 TSI MultiFuel	CPVA
	Golf VII Wagon	1.4 TSI	CHPA
VW	Golf VII Wagon	1.4 TSI	CMBA
	Golf VII Wagon	1.4 TSI	CZDA
	Golf VII Wagon	1.4 TSI BlueMotion Technology	CXSA
	Jetta	1.4 Hybrid	CRJA
	Jetta	1.2 TSI	CJZD
	Jetta	1.2 TSI	CYVD
	Jetta	1.4 TSI	CZDA
	Passat	1.4 GTE Hybrid	CUKC
	Passat	1.4 TSI	CZDA
	Passat	1.4 TSI ACT	CZEA
	Polo	1.2 TSI	CJZC
	Polo	1.2 TSI	CJZD
	Polo	1.4 TSI ACT	CZEA
	Polo	1.4 BlueGT TSI ACT	CPTA
	Sharan	1.4 TSI	CZDA
	Tiguan	1.4 TSI BlueMotion Technology	CZDA
	Tiguan	1.4 TSI ACT	CZEA
	Touran	1.2 TSI	CYVB
	Touran	1.4 TSI	CZDA

AUDI	Codice OEM							
	T10340	T10499	T10060A	T10500	T10494	T10504	T10504/1	T10504/2
CJZA	•	•	•	•	•			
CYVB	•	•	•	•	•			
CHPB	•	•	•	•	•			
CMBA	•	•	•	•	•			
CPTA	•	•	•	•		•	•	•
CPWA	•	•	•	•	•			
CUKB	•	•	•	•	•			
CXSA	•	•	•	•	•			
CXSB	•	•	•	•	•			
CZDA	•	•	•	•	•			
CZEA	•	•	•	•		•	•	•

SEAT	Codice OEM							
	T10340	T10499	T10060A	T10500	T10494	T10504	T10504/1	T10504/2
CJZA	•	•	•	•	•			
CJZB	•	•	•	•	•			
CJZC	•	•	•	•	•			
CJZD	•	•	•	•	•			
CYVA	•	•	•	•	•			
CYVB	•	•	•	•	•			
CHPA	•	•	•	•	•			
CMBA	•	•	•	•	•			
CPTA	•	•	•	•		•	•	•
CPWA	•	•	•	•	•			
CXSA	•	•	•	•	•			
CZDA	•	•	•	•	•			

SKODA	Codice OEM							
	T10340	T10499	T10060A	T10500	T10494	T10504	T10504/1	T10504/2
CJZA	•	•	•	•	•			
CJZB	•	•	•	•	•			
CJZC	•	•	•	•	•			
CHPA	•	•	•	•	•			
CPWA	•	•	•	•	•			

VW Codice motore	Codice OEM							
	T10340	T10499	T10060A	T10500	T10494	T10504	T10504/1	T10504/2
CJZA	•	•	•	•	•			
CJZB	•	•	•	•	•			
CJZC	•	•	•	•	•			
CJZD	•	•	•	•	•			
CYVA	•	•	•	•	•			
CYVB	•	•	•	•	•			
CYVD	•	•	•	•	•			
CHPA	•	•	•	•	•			
CMBA	•	•	•	•	•			
CPTA	•	•	•	•		•	•	•
CPVA	•	•	•	•	•			
CPVB	•	•	•	•	•			
CPWA	•	•	•	•	•			
CRJA	•	•	•	•	•			
CUKB	•	•	•	•	•			
CUKC	•	•	•	•	•			
CXSA	•	•	•	•	•			
CZDA	•	•	•	•	•			
CZEA	•	•	•	•		•	•	•



Composants

313212000	T10340	PIGE DE CALAGE DE L'ARBRE MOTEUR	
310224001	T10499	OUTIL DE RETENUE DE GALET TENDEUR	
310191007	T10060A	TENDEUR DE LA COURROIE D'ACCESSOIRES	
310224006	T10500	OUTIL POUR DESSERRER/SERRER LE BOULON DU GALET TENDEUR	
310258007	T10494	OUTIL DE CALAGE ARBRE À CAMES	
310258008	T10504	OUTIL DE CALAGE ARBRE À CAMES	
310258014	T10504/1	PIVOT DE CALAGE ARBRE À CAMES	
310258015	T10504/2	PIVOT DE CALAGE ARBRE À CAMES	

PRÉCAUTIONS SPÉCIALES - LIRE ATTENTIVEMENT

- **Utiliser des gants anti-accident, des chaussures anti-accident, un casque de protection et des lunettes de protection**

- **Usage impropre:**

Le produit ne doit être utilisé que pour l'usage prévu dans la présente documentation. Tout autre usage doit être considéré comme impropre.

Le producteur décline toute responsabilité pour tout dommage découlant d'usages erronés ou irraisonnables de l'équipement.

L'usage impropre annule la garantie.

- **Prendre bien soin des outils:**

Toujours garder les outils bien propres.

Ranger les outils dans leur emballage d'origine.

- Débrancher le câble de la batterie du pôle négatif de terre (vérifier le code radio si disponible)
- Enlever les bougies afin de faciliter la rotation du moteur
- Ne pas utiliser de détergents liquides sur les courroies, les pignons et les tensionneurs
- Indiquer le sens de rotation de la courroie auxiliaire avant de l'enlever
- Faire tourner le moteur dans le sens des aiguilles d'une

montre (contraire seulement si spécifié)

- Ne jamais faire tourner l'arbre à cames, l'arbre moteur ou la pompe d'injection diesel lorsque la chaîne a déjà été enlevé (à moins que ce soit spécifié)
- Ne pas utiliser la chaîne de distribution pour bloquer le moteur quand les boulons de la poulie de l'arbre moteur se serrent ou se desserrent
- Ne pas faire tourner l'arbre moteur ou l'arbre à came lorsque la courroie/chaîne a déjà été enlevée
- Avant d'enlever la chaîne, indiquer sa direction
- Il est toujours conseillé de faire tourner lentement le moteur de façon manuelle et de revérifier le positionnement de l'arbre moteur et de l'arbre à cames.
- Les arbres à cames et moteur peuvent être tournée seulement lorsque le mécanisme d'actionnement de la chaîne/courroie est complètement installé.
- Ne pas faire tourner le moteur en actionnant l'arbre à cames ou d'autres engrenages
- Vérifier la position correcte de la pompe d'injection diesel après avoir remplacé la chaîne
- Observer tous les couples de serrage
- Toujours se reporter au manuel de maison constructrice ou au mode d'emploi fourni
- Une synchronisation du moteur imprécise ou raté entraîne l'endommagement des vannes

APPLICATION			
AUDI	A1/A1 Sportback	1.4 TFSI COD	CPTA
	A1/A1 Sportback	1.4 TFSI COD	CZEA
	A3 Cabrio	1.4 TFSI	CXSB
	A3 Cabrio	1.4 TFSI COD	CPTA
	A3 Cabrio	1.4 TFSI COD	CZEA
	A3 Saloon	1.2 TFSI	CJZA
	A3 Saloon	1.4 TFSI	CMBA
	A3 Saloon	1.4 TFSI	CXSA
	A3 Saloon	1.4 TFSI	CXSB
	A3 Saloon	1.4 TFSI COD	CPTA
	A3 Saloon	1.4 TFSI COD	CZEA
	A3 Sedan	1.4 TFSI COD	CPTA
	A3 Sedan	1.4 TFSI COD	CZEA
	A3/A3 Sportback	1.2 TFSI	CJZA
	A3/A3 Sportback	1.2 TFSI	CYVB
	A3/A3 Sportback	1.4 e-tron	CUKB
	A3/A3 Sportback	1.4 g-tron	CPWA
	A3/A3 Sportback	1.4 TFSI	CMBA
	A3/A3 Sportback	1.4 TFSI	CXSA
	A3/A3 Sportback	1.4 TFSI	CXSB
	A3/A3 Sportback	1.4 TFSI COD	CPTA
	A3/A3 Sportback	1.4 TFSI COD	CZEA
	Q2	1.4 TFSI COD	CZEA
	Q3	1.4 TFSI	CHPB
	Q3	1.4 TFSI	CZDA
	Q3	1.4 TFSI COD	CZEA

APPLICATION			
SEAT	Alhambra	1.4 TSI	CZDA
	Ibiza	1.4 TSI ACT	CPTA
	Ibiza	1.4 TSI ACT FR	CPTA
	Ibiza	1.2 TSI	CJZC
	Ibiza	1.2 TSI	CJZD
	Leon	1.2 TSI	CJZA
	Leon	1.2 TSI	CJZB
	Leon	1.2 TSI	CYVA
	Leon	1.2 TSI	CYVB
	Leon	1.4 LPG	CPWA
	Leon	1.4 TGI	CPWA
	Leon	1.4 TSI	CHPA
	Leon	1.4 TSI	CMBA

APPLICATION

SEAT	Leon	1.4 TSI	CXSA
	Leon ST	1.2 TSI	CJZA
	Leon ST	1.2 TSI	CJZB
	Leon ST	1.2 TSI	CYVA
	Leon ST	1.2 TSI	CYVB
	Leon ST	1.4 TGI	CPWA
	Leon ST	1.4 TSI	CHPA
	Leon ST	1.4 TSI	CMBA
	Leon ST	1.4 TSI	CXSA
	Toledo	1.2 TSI	CJZC
	Toledo	1.2 TSI	CJZD

APPLICATION

SKODA	Fabia III	1.2 TSI	CJZC
	Fabia III	1.2 TSI	CJZD
	Fabia III Estate	1.2 TSI	CJZC
	Fabia III Estate	1.2 TSI	CJZD
	Octavia III	1.2 TSI	CJZA
	Octavia III	1.2 TSI	CJZB
	Octavia III	1.4 CNG	CPWA
	Octavia III	1.4 TSI	CHPA

APPLICATION

VW	Beetle/Coccinelle/Maggiolino	1.2 TSI	CYVD
	Beetle/Coccinelle/Maggiolino	1.4 TSI	CZDA
	Caddy/Caddy Maxi	1.4 TGI CNG	CPWA
	CC	1.4 TSI/BlueMotion Technology	CZDA
	Golf SV/Sportsvan	1.2 TSI	CYVA
	Golf SV/Sportsvan	1.2 TSI	CYVB
	Golf SV/Sportsvan	1.4 TSI	CPVB
	Golf SV/Sportsvan	1.4 TSI	CZDA
	Golf VI Cabrio	1.2 TSI	CJZA
	Golf VI Cabrio	1.2 TSI	CYVD
	Golf VI Cabrio	1.4 TSI	CZDA
	Golf VII	1.2 TSI	CJZA
	Golf VII	1.2 TSI	CJZB
	Golf VII	1.2 TSI	CYVA
	Golf VII	1.2 TSI	CYVB
	Golf VII	1.4 GTE	CUKB
	Golf VII	1.4 TGI BlueMotion	CPWA
	Golf VII	1.4 TSI	CHPA
	Golf VII	1.4 TSI	CMBA

APPLICATION

Golf VII	1.4 TSI	CXSA
Golf VII	1.4 TSI	CZDA
Golf VII	1.4 TSI ACT	CPTA
Golf VII	1.4 TSI ACT	CZEA
Golf VII	1.4 TSI MultiFuel	CPVA
Golf VII	1.4 TSI MultiFuel	CPVB
Golf VII Estate	1.2 TSI BlueMotion Technology	CJZA
Golf VII Estate	1.2 TSI BlueMotion Technology	CJZB
Golf VII Estate	1.2 TSI BlueMotion Technology	CYVA
Golf VII Estate	1.2 TSI BlueMotion Technology	CYVB
Golf VII Estate	1.4 TGI BlueMotion	CPWA
Golf VII Estate	1.4 TSI	CPVB
Golf VII Estate	1.4 TSI BlueMotion Technology	CHPA
Golf VII Estate	1.4 TSI BlueMotion Technology	CMBA
Golf VII Estate	1.4 TSI BlueMotion Technology	CXSA
Golf VII Estate	1.4 TSI BlueMotion Technology	CZDA
Golf VII Estate	1.4 TSI MultiFuel	CPVA
Golf VII Wagon	1.4 TSI	CHPA
Golf VII Wagon	1.4 TSI	CMBA
Golf VII Wagon	1.4 TSI	CZDA
Golf VII Wagon	1.4 TSI BlueMotion Technology	CXSA
Jetta	1.4 Hybrid	CRJA
Jetta	1.2 TSI	CJZD
Jetta	1.2 TSI	CYVD
Jetta	1.4 TSI	CZDA
Passat	1.4 GTE Hybrid	CUKC
Passat	1.4 TSI	CZDA
Passat	1.4 TSI ACT	CZEA
Polo	1.2 TSI	CJZC
Polo	1.2 TSI	CJZD
Polo	1.4 TSI ACT	CZEA
Polo	1.4 BlueGT TSI ACT	CPTA
Sharan	1.4 TSI	CZDA
Tiguan	1.4 TSI BlueMotion Technology	CZDA
Tiguan	1.4 TSI ACT	CZEA
Touran	1.2 TSI	CYVB
Touran	1.4 TSI	CZDA

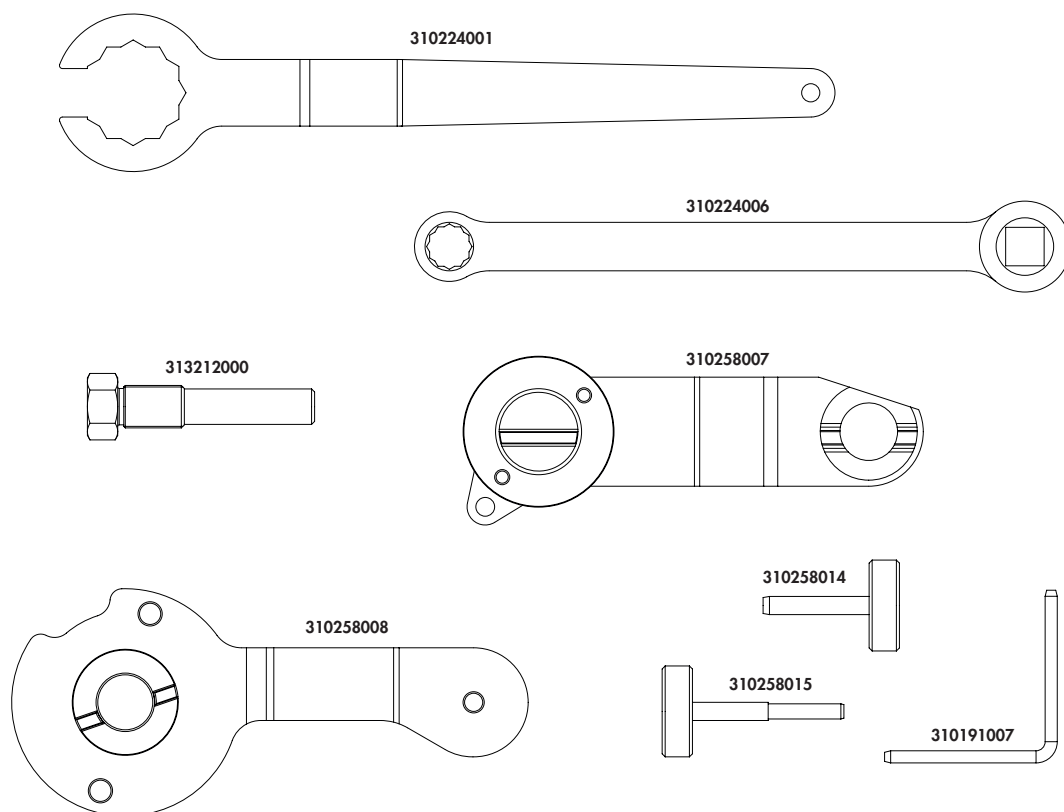
VW

AUDI	OEM code								
	Code moteur	T10340	T10499	T10060A	T10500	T10494	T10504	T10504/1	T10504/2
CJZA	•	•	•	•	•	•			
CYVB	•	•	•	•	•	•			
CHPB	•	•	•	•	•	•			
CMBA	•	•	•	•	•	•			
CPTA	•	•	•	•	•		•	•	•
CPWA	•	•	•	•	•	•			
CUKB	•	•	•	•	•	•			
CXSA	•	•	•	•	•	•			
CXSB	•	•	•	•	•	•			
CZDA	•	•	•	•	•	•			
CZEA	•	•	•	•	•		•	•	•

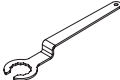
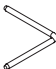
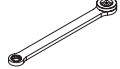



SEAT	OEM code								
	Code moteur	T10340	T10499	T10060A	T10500	T10494	T10504	T10504/1	T10504/2
CJZA	•	•	•	•	•	•			
CJZB	•	•	•	•	•	•			
CJZC	•	•	•	•	•	•			
CJZD	•	•	•	•	•	•			
CYVA	•	•	•	•	•	•			
CYVB	•	•	•	•	•	•			
CHPA	•	•	•	•	•	•			
CMBA	•	•	•	•	•	•			
CPTA	•	•	•	•	•		•	•	•
CPWA	•	•	•	•	•	•			
CXSA	•	•	•	•	•	•			
CZDA	•	•	•	•	•	•			

SKODA	OEM code								
	Code moteur	T10340	T10499	T10060A	T10500	T10494	T10504	T10504/1	T10504/2
CJZA	•	•	•	•	•	•			
CJZB	•	•	•	•	•	•			
CJZC	•	•	•	•	•	•			
CHPA	•	•	•	•	•	•			
CPWA	•	•	•	•	•	•			

VW Code moteur	OEM code							
	T10340	T10499	T10060A	T10500	T10494	T10504	T10504/1	T10504/2
CJZA	•	•	•	•	•			
CJZB	•	•	•	•	•			
CJZC	•	•	•	•	•			
CJZD	•	•	•	•	•			
CYVA	•	•	•	•	•			
CYVB	•	•	•	•	•			
CYVD	•	•	•	•	•			
CHPA	•	•	•	•	•			
CMBA	•	•	•	•	•			
CPTA	•	•	•	•		•	•	•
CPVA	•	•	•	•	•			
CPVB	•	•	•	•	•			
CPWA	•	•	•	•	•			
CRJA	•	•	•	•	•			
CUKB	•	•	•	•	•			
CUKC	•	•	•	•	•			
CXSA	•	•	•	•	•			
CZDA	•	•	•	•	•			
CZEA	•	•	•	•		•	•	•



Components

313212000	T10340	CRANKSHAFT TIMING PIN	
310224001	T10499	TENSIONER PULLEY HOLDING TOOL	
310191007	T10060A	AUXILIARY TENSIONER TOOL	
310224006	T10500	TOOL FOR SLACKENING/TIGHTENING TENSIONER PULLEY BOLT	
310258007	T10494	CAMSHAFT TIMING TOOL	
310258008	T10504	CAMSHAFT TIMING TOOL	
310258014	T10504/1	CAMSHAFT TIMING PIN	
310258015	T10504/2	CAMSHAFT TIMING PIN	

SAFETY PRECAUTIONS - PLEASE READ

- **Use protective work gloves, protective footwear, hard hat and safety goggles**

- **Misuse:**

This product should only be used as described in this documentation; any other use is considered improper. The manufacturer accepts no responsibility for any damage caused by the incorrect or unreasonable use of the equipment; Moreover, misuse shall also void the warranty.

- **Take care of your tools:**

Be sure to store your tools in a clean state. Place the tools inside their original package.

- Disconnect the battery earth leads (check radio code is available)
- Remove spark or glow plugs to make the engine turn easier
- Do not use cleaning fluids on belts, sprockets or rollers
- Always make a note of the route of the auxiliary drive belt before removal
- Turn the engine in the normal direction (clockwise unless stated otherwise)
- Do not turn the camshaft, crankshaft or diesel injection pump once the timing chain has been removed (unless specifically stated)

- Do not use the timing chain to lock the engine when slackening or tightening crankshaft pulley bolts
- Do not turn the crankshaft or camshaft when the timing belt/chain has been removed
- Mark the direction of the chain before removing
- It is always recommended to turn the engine slowly, by hand and to re-check the camshaft and crankshaft timing positions
- Crankshafts and Camshafts may only be turned with the chain drive mechanism fully installed
- Do not turn crankshaft via camshaft or other gears
- Check the diesel injection pump timing after replacing the chain
- Observe all tightening torques
- Always refer to the vehicle manufacturer's service manual or a suitable proprietary instruction book
- Incorrect or out of phase engine timing can result in damage to the valves
- It is always recommended to turn the engine slowly, by hand, and to re-check the camshaft and crankshaft timing positions

APPLICATION

AUDI	A1/A1 Sportback	1.4 TFSI COD	CPTA
	A1/A1 Sportback	1.4 TFSI COD	CZEA
	A3 Cabrio	1.4 TFSI	CXSB
	A3 Cabrio	1.4 TFSI COD	CPTA
	A3 Cabrio	1.4 TFSI COD	CZEA
	A3 Saloon	1.2 TFSI	CJZA
	A3 Saloon	1.4 TFSI	CMBA
	A3 Saloon	1.4 TFSI	CXSA
	A3 Saloon	1.4 TFSI	CXSB
	A3 Saloon	1.4 TFSI COD	CPTA
	A3 Saloon	1.4 TFSI COD	CZEA
	A3 Sedan	1.4 TFSI COD	CPTA
	A3 Sedan	1.4 TFSI COD	CZEA
	A3/A3 Sportback	1.2 TFSI	CJZA
	A3/A3 Sportback	1.2 TFSI	CYVB
	A3/A3 Sportback	1.4 e-tron	CUKB
	A3/A3 Sportback	1.4 g-tron	CPWA
	A3/A3 Sportback	1.4 TFSI	CMBA
	A3/A3 Sportback	1.4 TFSI	CXSA
	A3/A3 Sportback	1.4 TFSI	CXSB
	A3/A3 Sportback	1.4 TFSI COD	CPTA
	A3/A3 Sportback	1.4 TFSI COD	CZEA
	Q2	1.4 TFSI COD	CZEA
Q3	1.4 TFSI	CHPB	
Q3	1.4 TFSI	CZDA	
Q3	1.4 TFSI COD	CZEA	

APPLICATION

SEAT	Alhambra	1.4 TSI	CZDA
	Ibiza	1.4 TSI ACT	CPTA
	Ibiza	1.4 TSI ACT FR	CPTA
	Ibiza	1.2 TSI	CJZC
	Ibiza	1.2 TSI	CJZD
	Leon	1.2 TSI	CJZA
	Leon	1.2 TSI	CJZB
	Leon	1.2 TSI	CYVA
	Leon	1.2 TSI	CYVB
	Leon	1.4 LPG	CPWA
	Leon	1.4 TGI	CPWA
	Leon	1.4 TSI	CHPA
	Leon	1.4 TSI	CMBA

APPLICATION			
SEAT	Leon	1.4 TSI	CXSA
	Leon ST	1.2 TSI	CJZA
	Leon ST	1.2 TSI	CJZB
	Leon ST	1.2 TSI	CYVA
	Leon ST	1.2 TSI	CYVB
	Leon ST	1.4 TGI	CPWA
	Leon ST	1.4 TSI	CHPA
	Leon ST	1.4 TSI	CMBA
	Leon ST	1.4 TSI	CXSA
	Toledo	1.2 TSI	CJZC
	Toledo	1.2 TSI	CJZD

APPLICATION			
SKODA	Fabia III	1.2 TSI	CJZC
	Fabia III	1.2 TSI	CJZD
	Fabia III Estate	1.2 TSI	CJZC
	Fabia III Estate	1.2 TSI	CJZD
	Octavia III	1.2 TSI	CJZA
	Octavia III	1.2 TSI	CJZB
	Octavia III	1.4 CNG	CPWA
	Octavia III	1.4 TSI	CHPA

APPLICATION			
VW	Beetle/Coccinelle/Maggiolino	1.2 TSI	CYVD
	Beetle/Coccinelle/Maggiolino	1.4 TSI	CZDA
	Caddy/Caddy Maxi	1.4 TGI CNG	CPWA
	CC	1.4 TSI/BlueMotion Technology	CZDA
	Golf SV/Sportsvan	1.2 TSI	CYVA
	Golf SV/Sportsvan	1.2 TSI	CYVB
	Golf SV/Sportsvan	1.4 TSI	CPVB
	Golf SV/Sportsvan	1.4 TSI	CZDA
	Golf VI Cabrio	1.2 TSI	CJZA
	Golf VI Cabrio	1.2 TSI	CYVD
	Golf VI Cabrio	1.4 TSI	CZDA
	Golf VII	1.2 TSI	CJZA
	Golf VII	1.2 TSI	CJZB
	Golf VII	1.2 TSI	CYVA
	Golf VII	1.2 TSI	CYVB
	Golf VII	1.4 GTE	CUKB
	Golf VII	1.4 TGI BlueMotion	CPWA
	Golf VII	1.4 TSI	CHPA
	Golf VII	1.4 TSI	CMBA

APPLICATION

	Golf VII	1.4 TSI	CXSA
	Golf VII	1.4 TSI	CZDA
	Golf VII	1.4 TSI ACT	CPTA
	Golf VII	1.4 TSI ACT	CZEA
	Golf VII	1.4 TSI MultiFuel	CPVA
	Golf VII	1.4 TSI MultiFuel	CPVB
	Golf VII Estate	1.2 TSI BlueMotion Technology	CJZA
	Golf VII Estate	1.2 TSI BlueMotion Technology	CJZB
	Golf VII Estate	1.2 TSI BlueMotion Technology	CYVA
	Golf VII Estate	1.2 TSI BlueMotion Technology	CYVB
	Golf VII Estate	1.4 TGI BlueMotion	CPWA
	Golf VII Estate	1.4 TSI	CPVB
	Golf VII Estate	1.4 TSI BlueMotion Technology	CHPA
	Golf VII Estate	1.4 TSI BlueMotion Technology	CMBA
	Golf VII Estate	1.4 TSI BlueMotion Technology	CXSA
	Golf VII Estate	1.4 TSI BlueMotion Technology	CZDA
	Golf VII Estate	1.4 TSI MultiFuel	CPVA
VW	Golf VII Wagon	1.4 TSI	CHPA
	Golf VII Wagon	1.4 TSI	CMBA
	Golf VII Wagon	1.4 TSI	CZDA
	Golf VII Wagon	1.4 TSI BlueMotion Technology	CXSA
	Jetta	1.4 Hybrid	CRJA
	Jetta	1.2 TSI	CJZD
	Jetta	1.2 TSI	CYVD
	Jetta	1.4 TSI	CZDA
	Passat	1.4 GTE Hybrid	CUKC
	Passat	1.4 TSI	CZDA
	Passat	1.4 TSI ACT	CZEA
	Polo	1.2 TSI	CJZC
	Polo	1.2 TSI	CJZD
	Polo	1.4 TSI ACT	CZEA
	Polo	1.4 BlueGT TSI ACT	CPTA
	Sharan	1.4 TSI	CZDA
	Tiguan	1.4 TSI BlueMotion Technology	CZDA
	Tiguan	1.4 TSI ACT	CZEA
	Touran	1.2 TSI	CYVB
	Touran	1.4 TSI	CZDA

AUDI	OEM code								
	Engine code	T10340	T10499	T10060A	T10500	T10494	T10504	T10504/1	T10504/2
CJZA	•	•	•	•	•	•			
CYVB	•	•	•	•	•	•			
CHPB	•	•	•	•	•	•			
CMBA	•	•	•	•	•	•			
CPTA	•	•	•	•	•		•	•	•
CPWA	•	•	•	•	•	•			
CUKB	•	•	•	•	•	•			
CXSA	•	•	•	•	•	•			
CXSB	•	•	•	•	•	•			
CZDA	•	•	•	•	•	•			
CZEA	•	•	•	•	•		•	•	•

SEAT	OEM code								
	Engine code	T10340	T10499	T10060A	T10500	T10494	T10504	T10504/1	T10504/2
CJZA	•	•	•	•	•	•			
CJZB	•	•	•	•	•	•			
CJZC	•	•	•	•	•	•			
CJZD	•	•	•	•	•	•			
CYVA	•	•	•	•	•	•			
CYVB	•	•	•	•	•	•			
CHPA	•	•	•	•	•	•			
CMBA	•	•	•	•	•	•			
CPTA	•	•	•	•	•		•	•	•
CPWA	•	•	•	•	•	•			
CXSA	•	•	•	•	•	•			
CZDA	•	•	•	•	•	•			

SKODA	OEM code								
	Engine code	T10340	T10499	T10060A	T10500	T10494	T10504	T10504/1	T10504/2
CJZA	•	•	•	•	•	•			
CJZB	•	•	•	•	•	•			
CJZC	•	•	•	•	•	•			
CHPA	•	•	•	•	•	•			
CPWA	•	•	•	•	•	•			

VW Engine code	OEM code							
	T10340	T10499	T10060A	T10500	T10494	T10504	T10504/1	T10504/2
CJZA	•	•	•	•	•			
CJZB	•	•	•	•	•			
CJZC	•	•	•	•	•			
CJZD	•	•	•	•	•			
CYVA	•	•	•	•	•			
CYVB	•	•	•	•	•			
CYVD	•	•	•	•	•			
CHPA	•	•	•	•	•			
CMBA	•	•	•	•	•			
CPTA	•	•	•	•		•	•	•
CPVA	•	•	•	•	•			
CPVB	•	•	•	•	•			
CPWA	•	•	•	•	•			
CRJA	•	•	•	•	•			
CUKB	•	•	•	•	•			
CUKC	•	•	•	•	•			
CXSA	•	•	•	•	•			
CZDA	•	•	•	•	•			
CZEA	•	•	•	•		•	•	•



MECCANOCAR ITALIA S.r.l.

Via Malta 2/1 - 16121 Genova - ITALY
Tel. + 39 0587 609433 | Fax + 39 0587 607145
mec@meccanocar.it | www.meccanocar.it